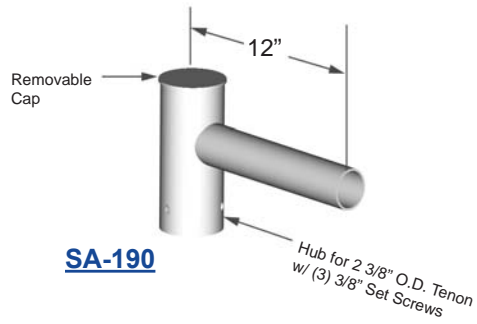
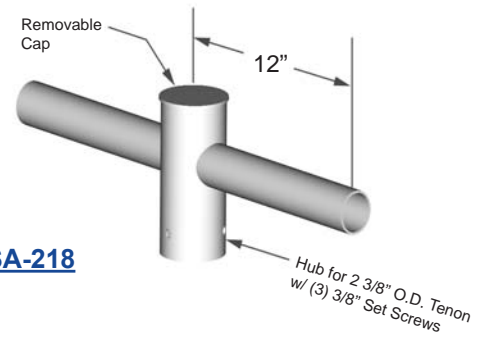


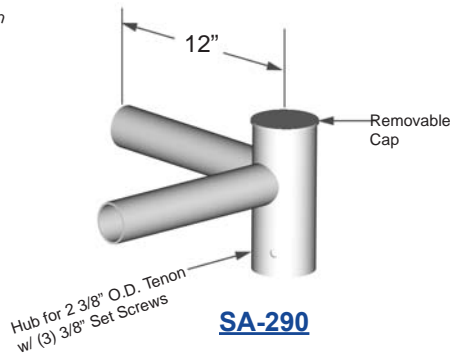
# Accessories - Spoke Arms



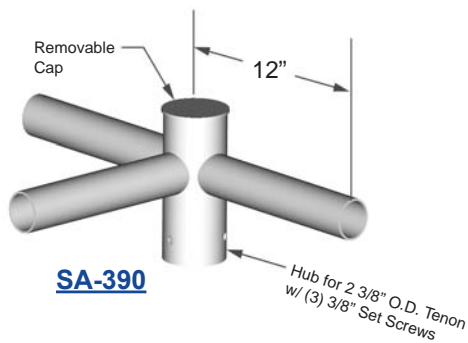
**SA-190**



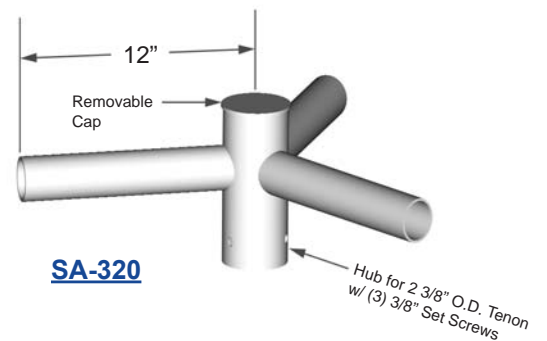
**SA-218**



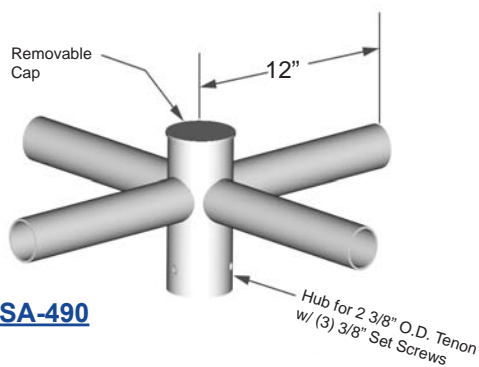
**SA-290**



**SA-390**



**SA-320**



**SA-490**

Catalog Number	Luminaire Quantity	Weight (lbs)	EPA (ft <sup>2</sup> )
SA-190	1	8	0.3
SA-218	2	11	0.4
SA-290	2	11	0.4
SA-320	3	15	0.5
SA-390	3	15	0.5
SA-490	4	18	0.6