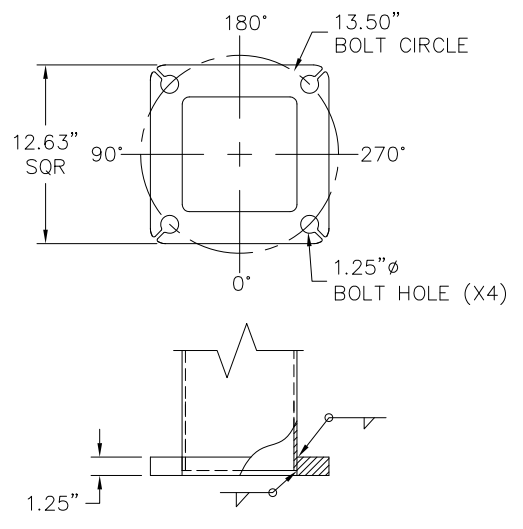
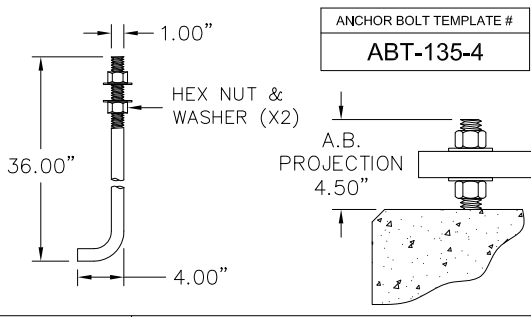


DETAIL 3 POLE TOP



DETAIL 1 BASE PLATE



DETAIL 2 ANCHOR BOLT

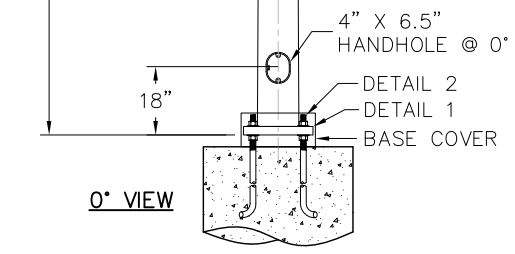
- 1) HARDWARE TO BE GALVANIZED TO: ASTM A153
- 2) ANCHOR BOLTS SHALL BE FULLY GALVANIZED PER ASTM A153.
- 3) ALL WELDING TO CONFORM TO: AWS D1.1 MOST RECENT EDITION.
- 4) FABRICATION MEETS AISC (AMERICAN INSTITUTE OF STEEL CONSTRUCTION) QUALITY CERTIFICATION.
- 5) PROVISIONS FOR GROUNDING LOCATED AT BASE HAND HOLE.
- 6) VIBRATION DISCLAIMER: ALTHOUGH RARE, VIBRATIONS SEVERE ENOUGH TO CAUSE DAMAGE CAN OCCASIONALLY OCCUR IN STRUCTURES OF ALL TYPES. BECAUSE THEY ARE INFLUENCED BY MANY INTERACTING VARIABLES, VIBRATIONS ARE GENERALLY UNPREDICTABLE. THE USER'S MAINTENANCE PROGRAM SHOULD INCLUDE OBSERVATION FOR EXCESSIVE VIBRATION AND EXAMINATION FOR ANY STRUCTURAL DAMAGE. ALL WARRANTY EXCLUDES FATIGUE FAILURE OR SIMILAR PHENOMENA RESULTING FROM INDUCED VIBRATION, HARMONIC OSCILLATION OR RESONANCE ASSOCIATED WITH MOVEMENT OF AIR CURRENTS AROUND THE POLE.

| LOADING DATA | | | | | | | |
|-------------------------|---------------------|------|------|------|-----|-----|-----|
| DESIGN CRITERIA: | COMMERCIAL STANDARD | | | | | | |
| WIND SPEED(mph) | 80 | 90 | 100 | 110 | 120 | 130 | 140 |
| MAX EPA FT ² | 27.4 | 21.6 | 17.3 | 12.9 | 9.8 | 7.3 | 5.4 |
| MAX WEIGHT (LBS) | 687 | 542 | 434 | 323 | 245 | 183 | 135 |
| FINISH | | | | | | | |
| TBD | | | | | | | |

| MATERIAL DATA | |
|---------------|--------------|
| COMPONENT | ASTM |
| POLE SHAFT | A595 GRADE A |
| BASE PLATE | A36 |
| ANCHOR BOLTS | F1554 GR.55 |
| MISC. STEEL | A36 |

| POLE DIMENSION DATA | | | | | | |
|---------------------|-----------------|------------------|----------------|---------------|-------------------|--------------|
| TYPE | DESIGN | POLE LENGTH (FT) | BASE DIA. (IN) | TOP DIA. (IN) | GAUGE OR THK (IN) | WEIGHT (LBS) |
| | STS-30-713-7-AB | 30 | 7.13 | 3.83 | 7-GA (.1875") | 431 |

DETAIL GENERAL NOTES



AMERICAN LITE POLE
2800 S. HULEN, SUITE 200
FORT WORTH, TX 76109
817-924-3682 PH.
817-924-7049 FAX

**** CONFIDENTIAL ****
THE INFORMATION CONTAINED IN THIS DRAWING IS PROPRIETARY AND CONFIDENTIAL. UNAUTHORIZED DUPLICATION OR DISSEMINATION OF THIS DOCUMENT IS STRICTLY PROHIBITED WITHOUT PRIOR WRITTEN NOTICE FROM AMERICAN LITE POLE.

REV. DATE BY REVISION DESCRIPTION
PROJECT NAME:

DESCRIPTION:
SQUARE TAPERED STEEL ANCHOR BASE
30' x 7.13" x 7 GA

| | | |
|-----------------|--------|----------|
| PO NUMBER: | DATE: | DWG BY: |
| QUOTE NUMBER: | SCALE: | CHKD BY: |
| DRAWING NUMBER: | QTY: | REV: |
| 061714 | NTS | BM |
| STS-30-713-7-AB | | CKR |