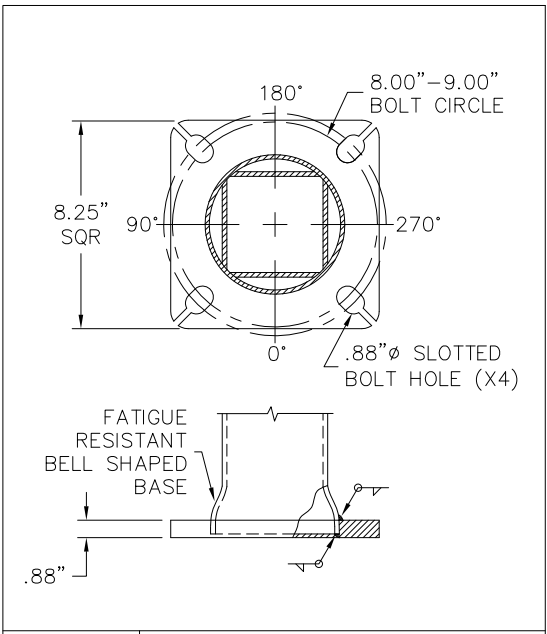
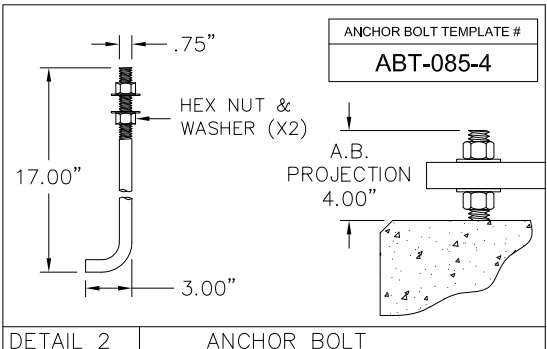


DETAIL 3 POLE TOP

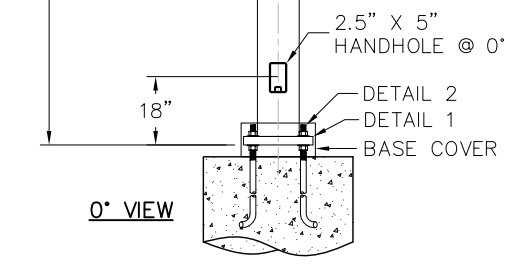


DETAIL 1 BASE PLATE



DETAIL 2 ANCHOR BOLT

POLE HEIGHT
30' (FT)



- 1) HARDWARE TO BE GALVANIZED TO: ASTM A153
- 2) ANCHOR BOLTS SHALL BE FULLY GALVANIZED PER ASTM A153.
- 3) ALL WELDING TO CONFORM TO: AWS D1.1 MOST RECENT EDITION.
- 4) FABRICATION MEETS AISC (AMERICAN INSTITUTE OF STEEL CONSTRUCTION) QUALITY CERTIFICATION.
- 5) PROVISIONS FOR GROUNDING LOCATED AT BASE HAND HOLE.
- 6) VIBRATION DISCLAIMER: ALTHOUGH RARE, VIBRATIONS SEVERE ENOUGH TO CAUSE DAMAGE CAN OCCASIONALLY OCCUR IN STRUCTURES OF ALL TYPES. BECAUSE THEY ARE INFLUENCED BY MANY INTERACTING VARIABLES, VIBRATIONS ARE GENERALLY UNPREDICTABLE. THE USERS MAINTENANCE PROGRAM SHOULD INCLUDE OBSERVATION FOR EXCESSIVE VIBRATION AND EXAMINATION FOR ANY STRUCTURAL DAMAGE. ALL WARRANTY EXCLUDES FATIGUE FAILURE OR SIMILAR PHENOMENA RESULTING FROM INDUCED VIBRATION, HARMONIC OSCILLATION OR RESONANCE ASSOCIATED WITH MOVEMENT OF AIR CURRENTS AROUND THE POLE.

LOADING DATA								
DESIGN CRITERIA:	COMMERCIAL STANDARD							
WIND SPEED (mph) 1.3 GUST	80	90	100	110	120	130	140	150
EPA FT ²	6.7	4.4	2.6	1.4	0.4	-	-	-
WEIGHT (lbs)	168	110	65	35	10	-	-	-
FINISH								
TBD								

MATERIAL DATA	
COMPONENT	ASTM
POLE SHAFT	A500 GR. B
BASE PLATE	A36
ANCHOR BOLTS	F1554 GR.55
MISC. STEEL	A36

POLE DIMENSION DATA						
TYPE	DESIGN	POLE LENGTH (FT)	BASE DIA. (IN)	TOP DIA. (IN)	GAUGE OR THK (IN)	WEIGHT (LBS)
	SNS-30-40-7-AB	30	4.00	4.00	7-GA (.1793")	291

DETAIL GENERAL NOTES



AMERICAN LITE POLE
2800 S. HULEN, SUITE 200
FORT WORTH, TX 76109
817-924-3682 PH.
817-924-7049 FAX

**** CONFIDENTIAL ****
THE INFORMATION CONTAINED IN THIS DRAWING IS PROPRIETARY AND CONFIDENTIAL. UNAUTHORIZED DUPLICATION OR DISSEMINATION OF THIS DOCUMENT IS STRICTLY PROHIBITED WITHOUT PRIOR WRITTEN NOTICE FROM AMERICAN LITE POLE.

REV. DATE BY REVISION DESCRIPTION
PROJECT NAME:
DESCRIPTION:
SQUARE STRAIGHT STEEL ANCHOR BASE
30' x 4.0" x 7 GA

PO NUMBER: DATE: DWG BY:
061014 BM
QUOTE NUMBER: SCALE: QTY: CHKD BY:
NTS CKR
DRAWING NUMBER: REV:
SNS-30-40-7-AB