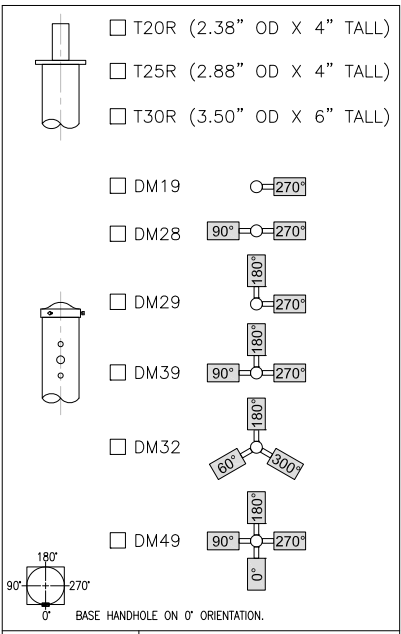
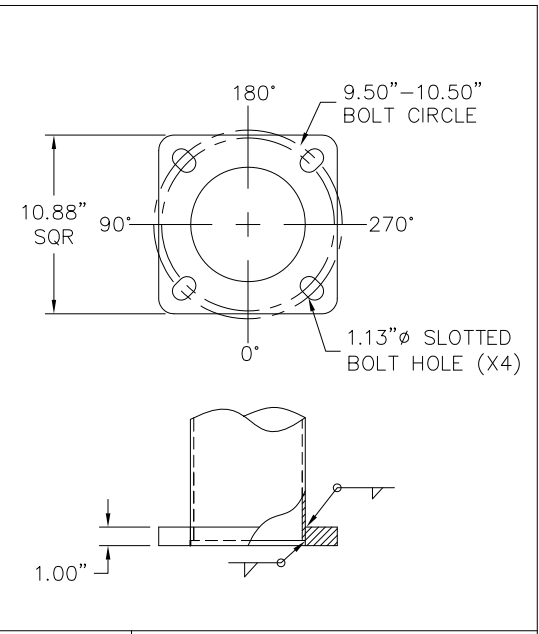


POLE HEIGHT
25' (FT)



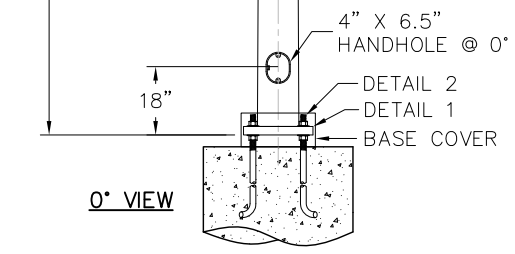
DETAIL 3 POLE TOP



DETAIL 1 BASE PLATE



DETAIL 2 ANCHOR BOLT



- 1) HARDWARE TO BE GALVANIZED TO: ASTM A153
- 2) ANCHOR BOLTS SHALL BE FULLY GALVANIZED PER ASTM A153.
- 3) ALL WELDING TO CONFORM TO: AWS D1.1 MOST RECENT EDITION.
- 4) FABRICATION MEETS AISC (AMERICAN INSTITUTE OF STEEL CONSTRUCTION) QUALITY CERTIFICATION.
- 5) PROVISIONS FOR GROUNDING LOCATED AT BASE HAND HOLE.
- 6) VIBRATION DISCLAIMER: ALTHOUGH RARE, VIBRATIONS SEVERE ENOUGH TO CAUSE DAMAGE CAN OCCASIONALLY OCCUR IN STRUCTURES OF ALL TYPES. BECAUSE THEY ARE INFLUENCED BY MANY INTERACTING VARIABLES, VIBRATIONS ARE GENERALLY UNPREDICTABLE. THE USER'S MAINTENANCE PROGRAM SHOULD INCLUDE OBSERVATION FOR EXCESSIVE VIBRATION AND EXAMINATION FOR ANY STRUCTURAL DAMAGE. ALL WARRANTY EXCLUDES FATIGUE FAILURE OR SIMILAR PHENOMENA RESULTING FROM INDUCED VIBRATION, HARMONIC OSCILLATION OR RESONANCE ASSOCIATED WITH MOVEMENT OF AIR CURRENTS AROUND THE POLE.

LOADING DATA								
DESIGN CRITERIA:	COMMERCIAL STANDARD							
WIND SPEED(mph) 1.3 GUST	80	90	100	110	120	130	140	150
EPA FT ²	30.5	24.0	19.8	16.5	13.9	11.7	10.0	8.5
WEIGHT (lbs)	760	625	495	413	348	293	250	213
FINISH								
TBD								

MATERIAL DATA	
COMPONENT	ASTM
POLE SHAFT	A595 GR.55
BASE PLATE	A36
ANCHOR BOLTS	F1554 GR.55
MISC. STEEL	A36

POLE DIMENSION DATA						
TYPE	DESIGN	POLE LENGTH (FT)	BASE DIA. (IN)	TOP DIA. (IN)	GAUGE OR THK (IN)	WEIGHT (LBS)
	RTS-25-70-7-AB	25	7.00	3.50	7-GA (.179")	280

DETAIL GENERAL NOTES



AMERICAN LITE POLE
 2800 S. HULEN, SUITE 200
 FORT WORTH, TX 76109
 817-924-3682 PH.
 817-924-7049 FAX

**** CONFIDENTIAL ****
 THE INFORMATION CONTAINED IN THIS DRAWING IS PROPRIETARY AND CONFIDENTIAL. UNAUTHORIZED DUPLICATION OR DISSEMINATION OF THIS DOCUMENT IS STRICTLY PROHIBITED WITHOUT PRIOR WRITTEN NOTICE FROM AMERICAN LITE POLE.

REV. DATE BY REVISION DESCRIPTION
 PROJECT NAME:

DESCRIPTION:
ROUND TAPERED STEEL ANCHOR BASE
25' x 7.0" x 7 GA

PO NUMBER:	DATE:	DWG BY:
QUOTE NUMBER:	SCALE:	CHKD BY:
DRAWING NUMBER:	QTY:	REV:

061014
 NTS
 RTS-25-70-7-AB
 BM
 CKR