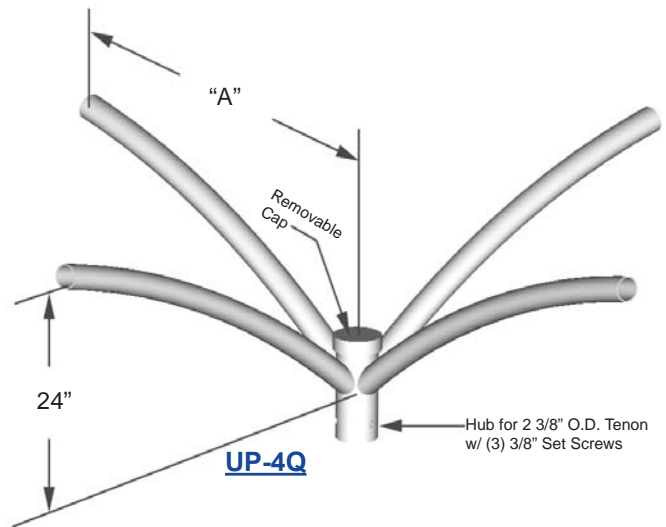
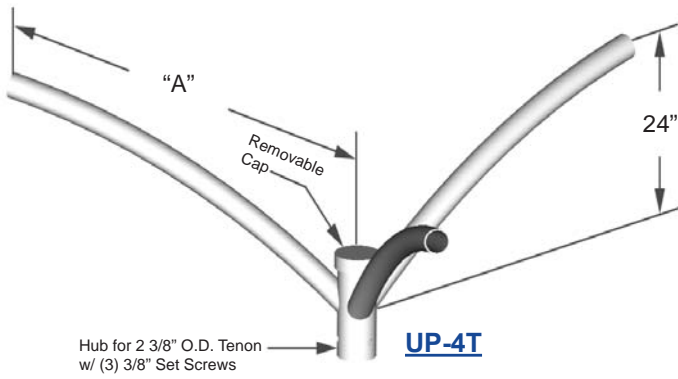
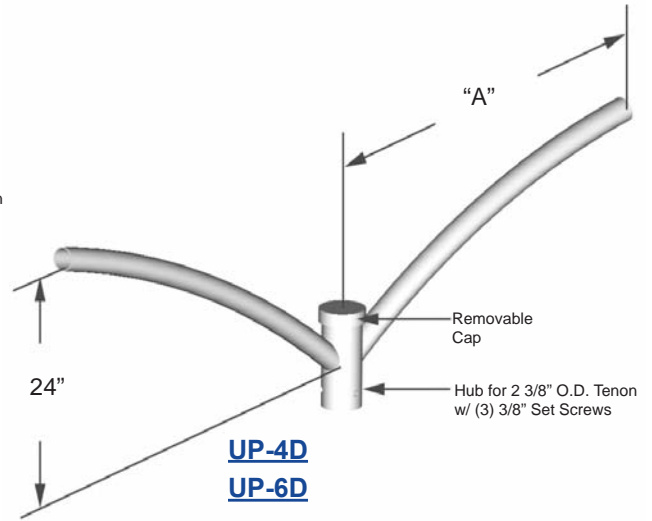
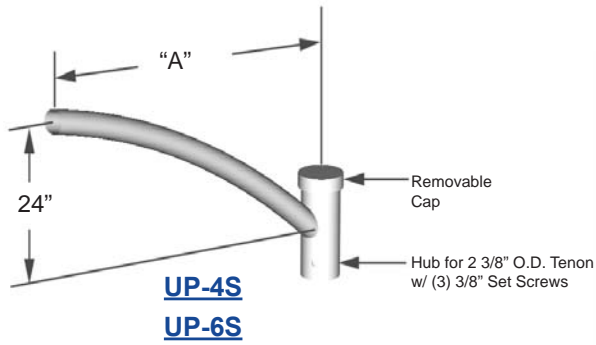


Accessories - Upsweep Arms



Catalog Number	Arms	"A" Span (ft)	Weight (lbs)	EPA (ft ²)
UP-4S	1	4	22	1.1
UP-6S	1	6	29	1.5
UP-4D	2@180°	4	40	2.1
UP-6D	2@180°	6	54	2.8
UP-4T	3@120°	4	57	1.8
UP-4Q	4@90°	4	75	2.8