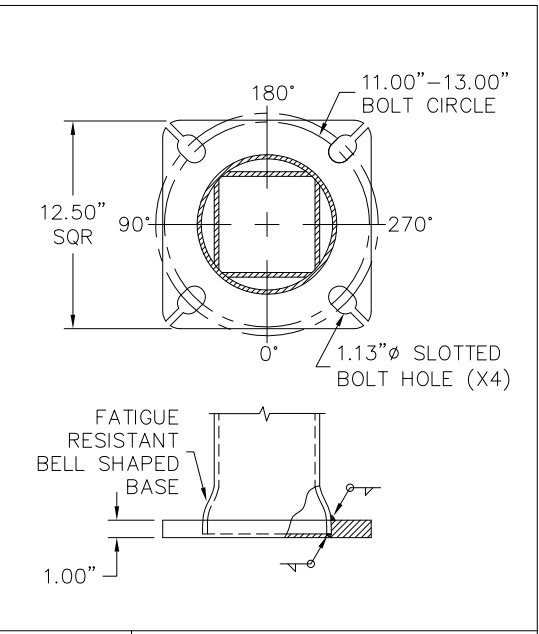
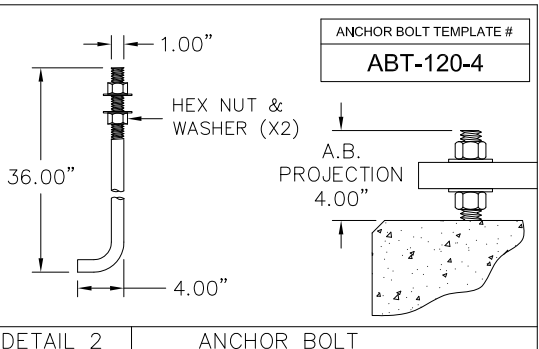


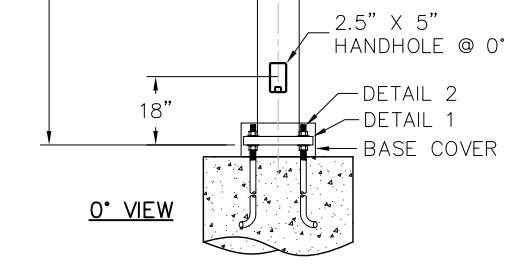
DETAIL 3 POLE TOP



DETAIL 1 BASE PLATE



POLE HEIGHT  
30' (FT)



- 1) HARDWARE TO BE GALVANIZED TO: ASTM A153
- 2) ANCHOR BOLTS SHALL BE FULLY GALVANIZED PER ASTM A153.
- 3) ALL WELDING TO CONFORM TO: AWS D1.1 MOST RECENT EDITION.
- 4) FABRICATION MEETS AISC (AMERICAN INSTITUTE OF STEEL CONSTRUCTION) QUALITY CERTIFICATION.
- 5) PROVISIONS FOR GROUNDING LOCATED AT BASE HAND HOLE.
- 6) VIBRATION DISCLAIMER: ALTHOUGH RARE, VIBRATIONS SEVERE ENOUGH TO CAUSE DAMAGE CAN OCCASIONALLY OCCUR IN STRUCTURES OF ALL TYPES. BECAUSE THEY ARE INFLUENCED BY MANY INTERACTING VARIABLES, VIBRATIONS ARE GENERALLY UNPREDICTABLE. THE USERS MAINTENANCE PROGRAM SHOULD INCLUDE OBSERVATION FOR EXCESSIVE VIBRATION AND EXAMINATION FOR ANY STRUCTURAL DAMAGE. ALL WARRANTY EXCLUDES FATIGUE FAILURE OR SIMILAR PHENOMENA RESULTING FROM INDUCED VIBRATION, HARMONIC OSCILLATION OR RESONANCE ASSOCIATED WITH MOVEMENT OF AIR CURRENTS AROUND THE POLE.

LOADING DATA								MATERIAL DATA			
DESIGN CRITERIA:	COMMERCIAL STANDARD							COMPONENT	ASTM		
WIND SPEED (mph) 1.3 GUST	80	90	100	110	120	130	140	150	POLE SHAFT	A500 GR. B	
EPA FT <sup>2</sup>	19.0	13.2	9.0	6.0	3.6	1.3	-	-			
WEIGHT (lbs)	475	330	225	150	90	33	-	-	BASE PLATE	A36	
FINISH											
TBD								ANCHOR BOLTS	F1554 GR.55	MISC. STEEL	A36
POLE DIMENSION DATA											
TYPE	DESIGN	POLE LENGTH (FT)	BASE DIA. (IN)	TOP DIA. (IN)	GAUGE OR THK (IN)	WEIGHT (LBS)					
	SNS-30-60-7-AB	30	6.00	6.00	7-GA (.1793")	520					

DETAIL GENERAL NOTES



AMERICAN LITE POLE  
2800 S. HULEN, SUITE 200  
FORT WORTH, TX 76109  
817-924-3682 PH.  
817-924-7049 FAX

**\*\* CONFIDENTIAL \*\***  
THE INFORMATION CONTAINED IN THIS DRAWING IS PROPRIETARY AND CONFIDENTIAL. UNAUTHORIZED DUPLICATION OR DISSEMINATION OF THIS DOCUMENT IS STRICTLY PROHIBITED WITHOUT PRIOR WRITTEN NOTICE FROM AMERICAN LITE POLE.

REV. DATE BY REVISION DESCRIPTION  
PROJECT NAME:

DESCRIPTION:  
**SQUARE STRAIGHT STEEL ANCHOR BASE**  
**30' x 6.0" x 7 GA**

PO NUMBER:	DATE:	DWG BY:
	101112	BM
QUOTE NUMBER:	SCALE:	CHKD BY:
	NTS	CKR
DRAWING NUMBER:	REV:	
SNS-30-60-7-AB		